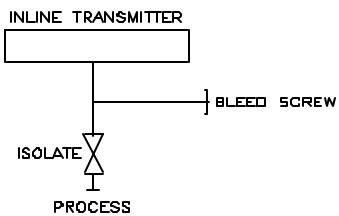
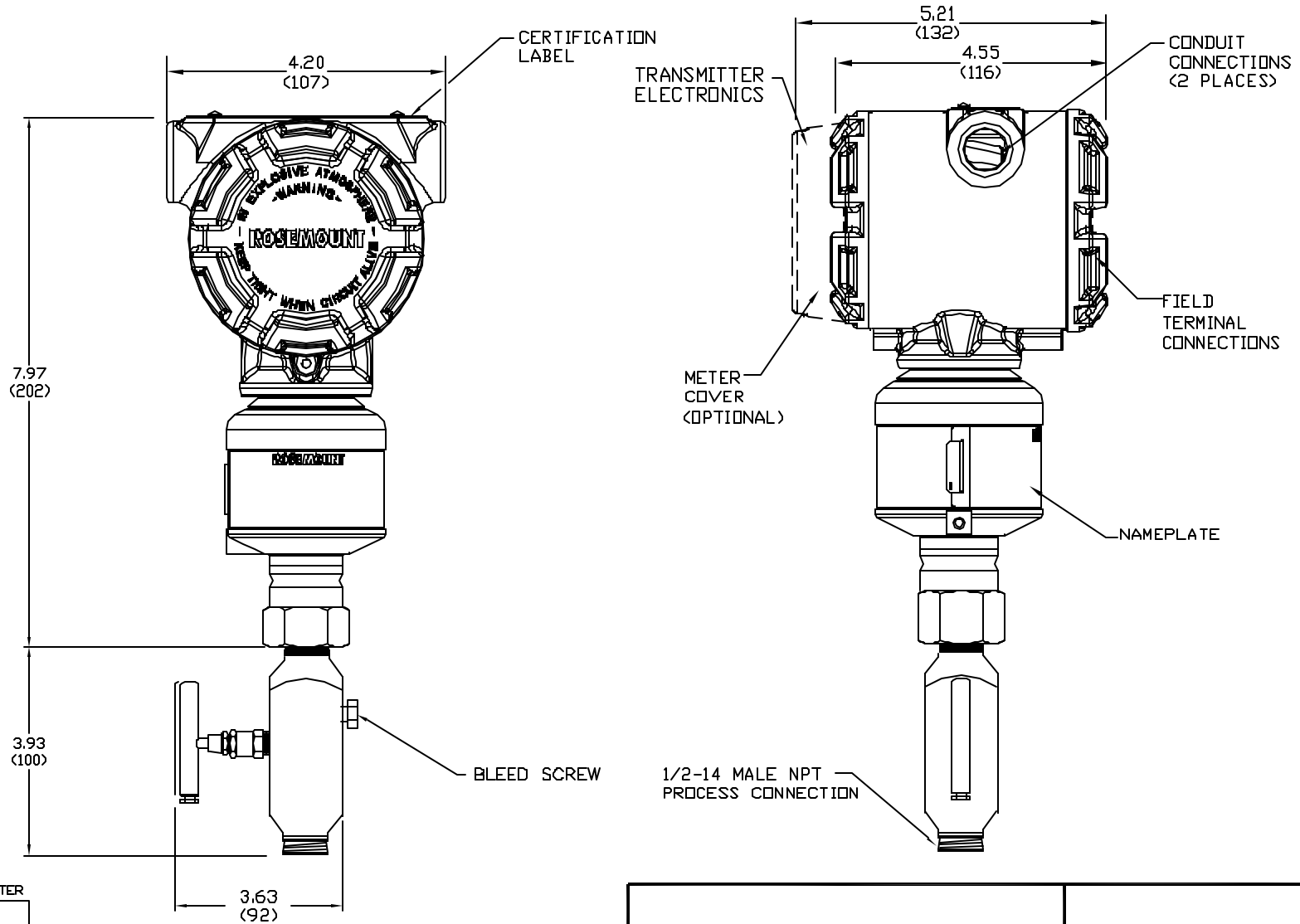


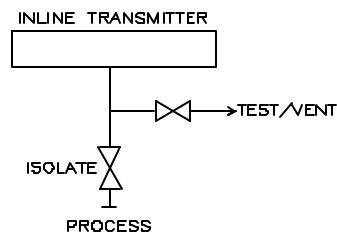
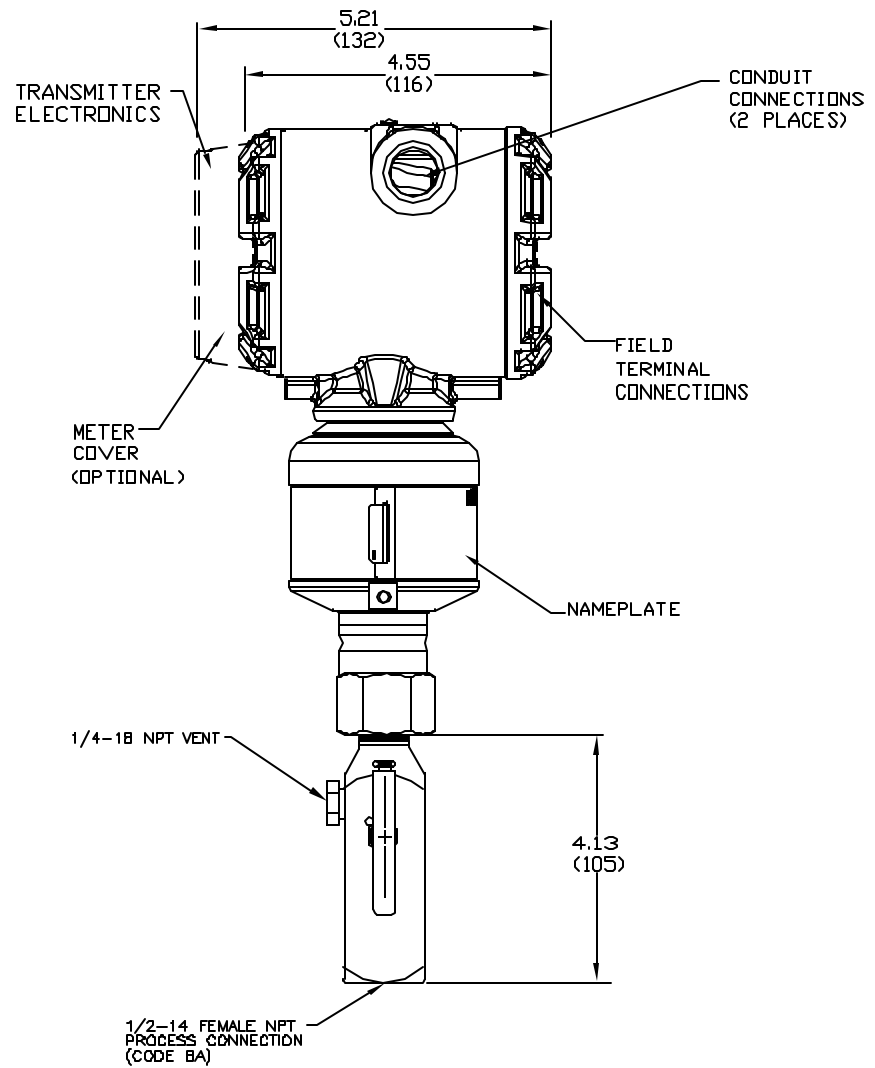
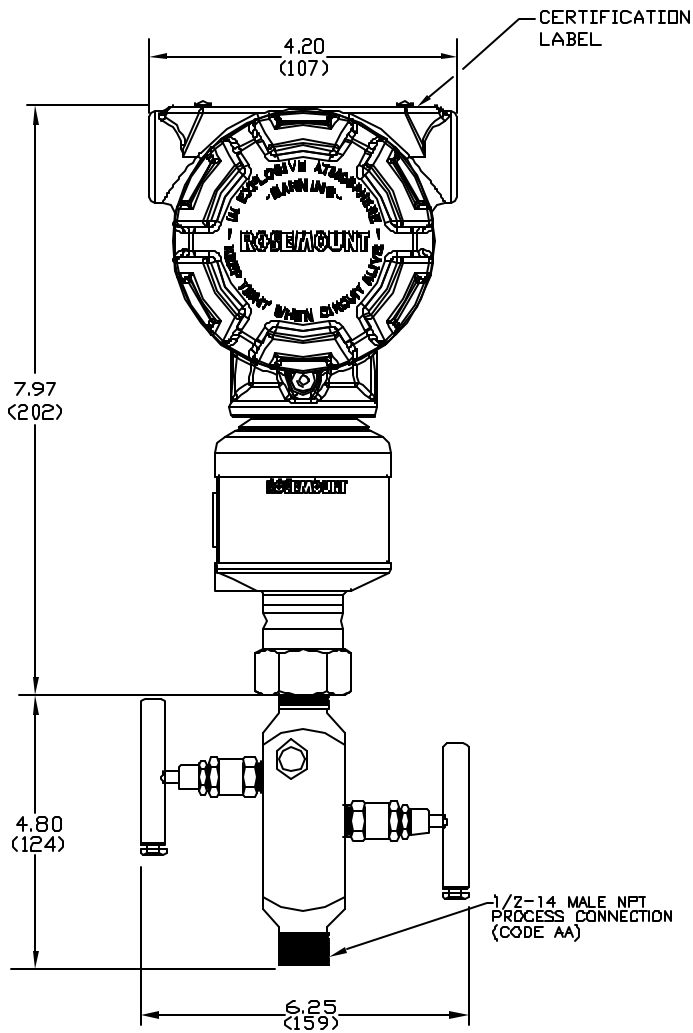
MODEL 306RT THREADED STYLE MANIFOLD  
 MODEL 306RT1 BLOCK-AND-BLEED

REVISIONS				
REV	DESCRIPTION	CHG.NO.	APP'D	DATE
AA	NEW RELEASE			
AB	UPDATE TO TYPE I DRAWING FORMAT	RTCL014920	NH	2/28/03



*UNLESS OTHERWISE SPECIFIED DIMENSIONS IN INCHES (MM)		<b>TYPE I</b>		<b>ROSEMOUNT®</b> CHANHASSEN, MINNESOTA	
*ALL DIMENSIONS ARE NOMINAL AND ARE FOR REFERENCE ONLY		DR. JOHN ARMSTRONG	03/18/01	TITLE	
		APPROVAL		DIMENSIONAL DRAWING FOR	
		APP. N. HAYWOOD	02/16/01	MODEL 306RT MANIFOLD	
		TAGGING		SIZE	DRAWING NO.
		SPECIALS		A	00306-3007
				SCALE: NONE	SHEET 1 OF 2

MODEL 306R THREADED STYLE MANIFOLD  
 MODEL 306RT2 TWO-VALVE



**ROSEMOUNT** INC.  
 MINNEAPOLIS, MINN.

OR  
 ISSUE

THIS DRAWING WAS CREATED ON CAD. VELLUM MASTER IS NOT TO BE CHANGED. DRAWING IS ARCHIVED ON MAGNETIC TAPE FOR ECO CHANGES.

SIZE	FSCM.NO.	DRAWING NO.
A	04274	00306-3007
SCALE:	WT.	SHEET 2 OF 2